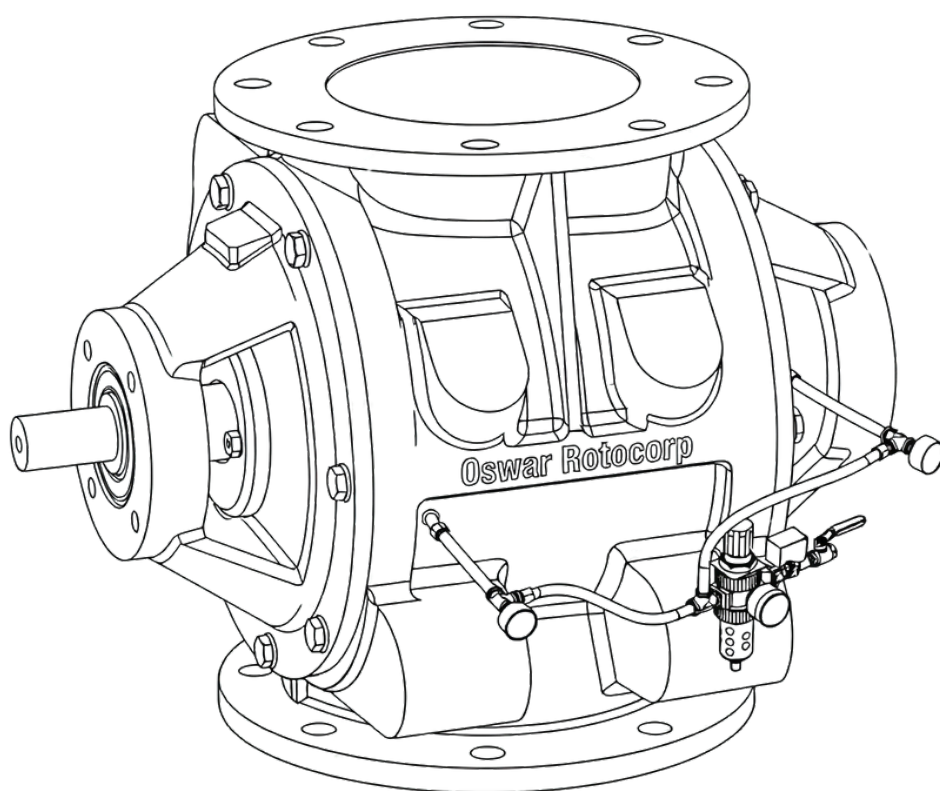



CHEMICAL INDUSTRY

REACTIVE, CORROSIVE & CRITICAL PROCESSES



OSWAR
rotocorp



Chemical manufacturing environments require precise material control, contamination prevention, and resistance to corrosive and reactive substances. From fine powders and granules to hazardous intermediates, process stability depends on accurate feeding, sealed transfer, and reliable isolation systems.

Oswar Rotocorp designs flow control and material handling solutions specifically for chemical plants where controlled discharge, minimal leakage, and operational safety are critical. Our systems are engineered to integrate seamlessly into reactors, dryers, mixers, silos, and pneumatic conveying networks.

CRITICAL PROCESS AREAS

REACTOR
FEEDING &
DISCHARGE

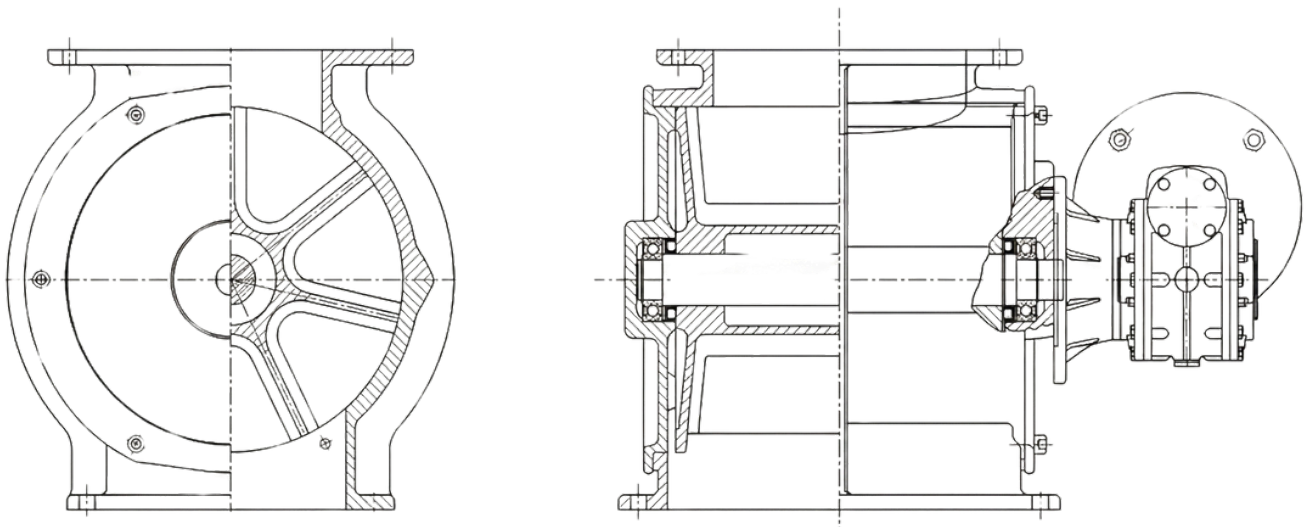
POWDER &
GRANULE
HANDLING

SILO & HOPPER
ISOLATION

DUST & VAPOR
CONTROL
SYSTEMS

DESIGNED FOR CORROSION RESISTANCE & PROCESS INTEGRITY

Chemical processing environments often involve abrasive powders, corrosive compounds, and strict process control requirements. Our equipment is constructed using corrosion-resistant materials, specialized coatings, and precision-machined components to ensure structural integrity and long service life. Rotary Valves are engineered with controlled clearances and advanced sealing configurations to maintain airlock efficiency and prevent cross-contamination.



ENGINEERING FEATURES

- Rotary Valves for Controlled Powder Discharge
- Corrosion-Resistant Rotary Valves
- Pneumatic Pressure Rotary Valves
- Slide Gate Valves for Process Isolation
- Diverter Valves for Multi-Line Routing
- Flap Valves / Gravity Gates for Dust Systems

ENSURING PROCESS SAFETY & OPERATIONAL STABILITY

- **Accurate & Stable Material Feeding**
- **Reduced Leakage & Cross-Contamination**
- **Improved Airlock Efficiency**
- **Corrosion & Wear Resistance**
- **Enhanced Process Safety**
- **Lower Maintenance & Downtime**



OSWAR

rotocorp

Corporate Office

Jaipur, Rajasthan India
Nagpur, Maharashtra India

Sales Inquiries

info@oswarrotocorp.com

Helpline

[+44 7917 128505](tel:+447917128505) | +91 77422 36474

Copyright © 2026 OSWAR ROTOCORP. All Rights Reserved. OSWAR® is a registered trademark of **OSWAR ROTOCORP**. This brochure makes no offers, representations or warranties (express or implied), and information and data contained in this brochure are for general reference only and may change at any time.